



# SUBMITTAL : ECO-455GLNST 455 Gallon Storage Tank



Job Name	Location
Purchaser	Engineer
Submitted to	Reference <input type="checkbox"/> Approval <input type="checkbox"/> Construction <input type="checkbox"/>
Unit Designation	Schedule #

<b>Specifications</b>	<b>GS4-45HPC &amp; -D</b>
	<b>GS5-45HPC &amp; -D</b>
<b>Performance</b>	
Capacity per Heat Pump	4.5kw or 15,400 Btu/h
Recovery per HP @ 90°F Rise	20.5 Gallons per Hour
<b>Storage Tank</b>	<b>ECO-455GLNST</b>
Tank Volume Actual/Nominal	453 / 504 Gallons
Pressure Relief Valve (Psig & °F)	125 Psig
Temperature Sensor	Thermistor
Installed Tank Weight (lbs)	805lbs
Shipping Tank Weight (lbs)	1210lbs
Anodes	3 x Magnesium
Tank Insulation Depth	2 1/4" to 2 1/2" Thick
Tank Insulation R value	R16

<b>Tank Connection Sizes</b>	
Cold Water Inlet	3" NPT
Hot Water Outlet	3" NPT
Cold Water to Heat Pump	1 1/2" NPT
Hot Water Return from HP	1 1/2" NPT
<b>Pipe Size - Tank to Heat Pump</b>	
Cold Water pipe - Tank to HP	As designed
Hot Water pipe - HP to Tank	As designed
Max Pipe Length inc	66ft
Max Vertical Separation of	23ft
<b>Approvals</b>	
Tank	ASME
<b>Warranty</b>	
Tank	5 Years

### Construction

The tank shall be manufactured from carbon steel with a baked on Ultonium porcelain enamel lining  
Tank outer shell shall be covered with a spray on foam insulation with an acrylic top coat to allow both interior and exterior installation

Tank shall have ECO2 stenciled on the Insulation top coat

### Insulation

A minimum of 2 1/4" of R16 insulation shall be sprayed on to the tank to reduce heat loss and comply with California Title 24 requirements

### Connections

Connections to the Hot and Cold building supplies shall be 3" NPT Female type

Connection to Cold supply from the tank to the Heat Pump shall be 1 1/2" NPT male type

Connection to Hot return from the Heat Pump to the tank shall be 1 1/2" NPT female type

### Controls

The tank shall be supplied with a Temperature sensor well for field installation so that Tank Temperature sensors are able to be inserted

Each Heat Pump connected to the Storage Tank shall require a 91101-45190 temperature sensor to be field installed in the Sensor well and wired directly to the Heat Pump

If the ECO-MSCTRL-BMS Multi Unit Controller shall be used it shall be supplied with a Tank Temperature sensor and Tank Cold Water to Heat Pump(s) sensor

All sensors shall be field installed with the ECO-455GLNST

### Pressure and Temperature Relief

Tank shall be supplied with a field installed, ASME approved Pressure relief valve

Valve Setting shall be at 125 Psig

Relief Valve shall be piped to a suitable location in case of discharge

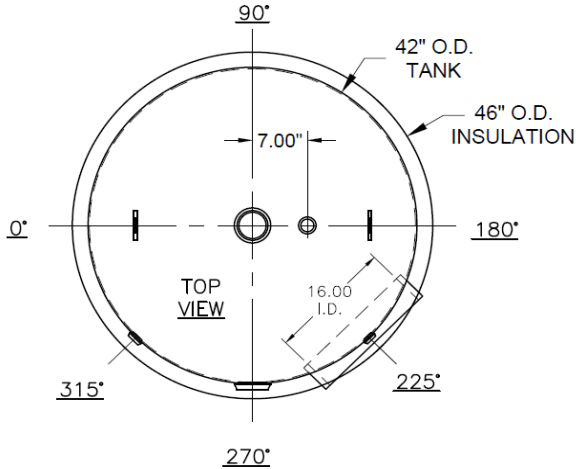


# SUBMITTAL : ECO-455GLNST 455 Gallon Storage Tank



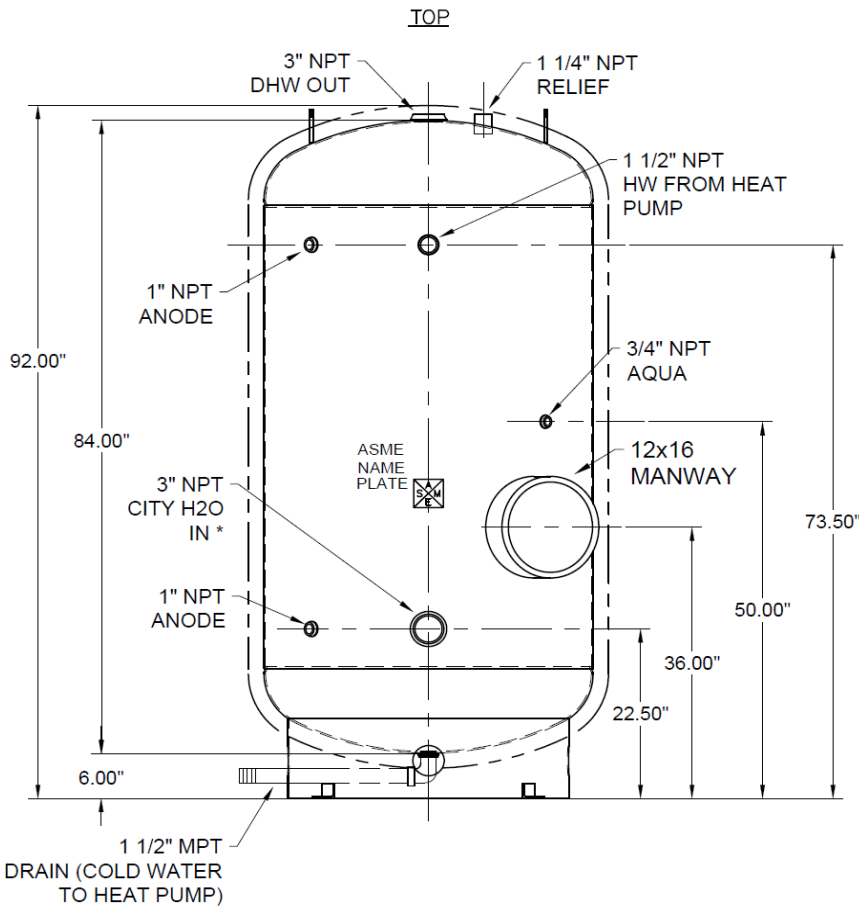
Job Name	Location		
Purchaser	Engineer		
Submitted to	Reference <input type="checkbox"/>	Approval <input type="checkbox"/>	Construction <input type="checkbox"/>
Unit Designation	Schedule #		

## Storage Tank Dimensions



### CONSTRUCTION:

- MATERIAL - CARBON STEEL
- INTERIOR LINING - PORCELAIN ENAMEL
- EXTERIOR - PRIME PAINTED W/ 2" THK INSULATION & ACRYLIC TOP COAT
- SACRIFICIAL ANODES - MAGNESIUM
- M.A.W.P. - 125 PSI
- MAX. OPERATING TEMP. - 180°F



\* INCLUDES DOWNWARD DEFLECTOR-SPARGE A TRON

REV. B: ADDED NOTE TO DRAIN. CHANGED CUSTOMER NAME

Eco2 Systems LLC

PO Box 1358, Walled Lake MI 48390, Tel : 1-844 SAND CO2 (1-844 726 3262)

[www.eco2waterheater.com](http://www.eco2waterheater.com)

Due to Eco2 Systems LLC's policy of on-going product development specifications are subject to change without notice

**SUB-ECO2-ECO455-022024**

© Eco2Systems LLC 2024